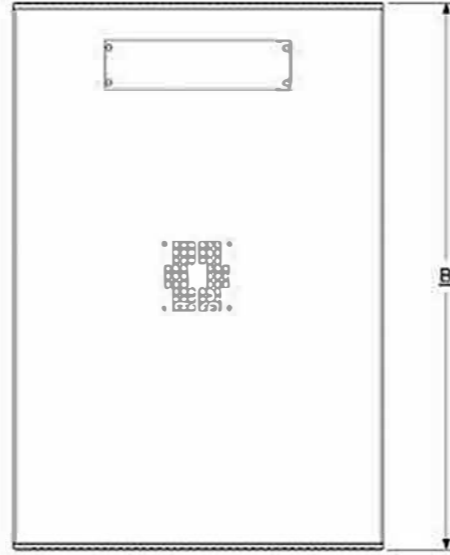
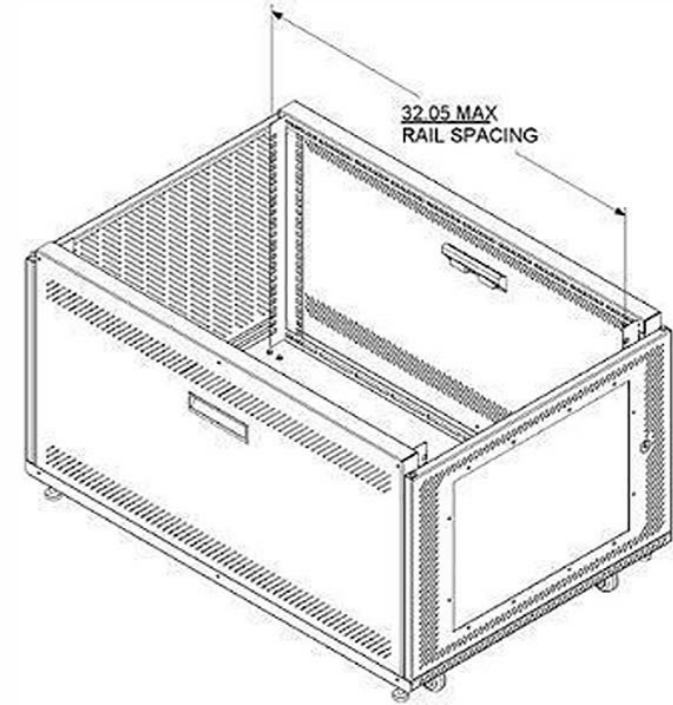


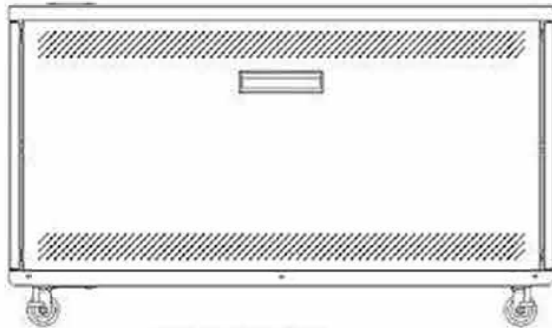
ISOMETRIC VIEW



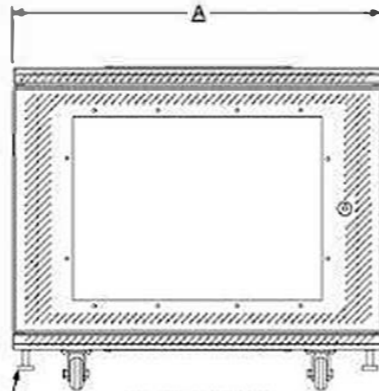
TOP VIEW



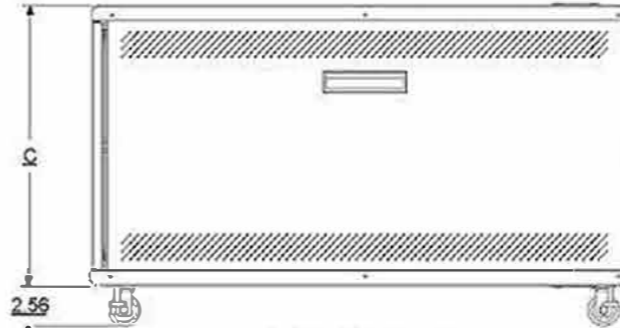
ISOMETRIC VIEW WITH TOP REMOVED



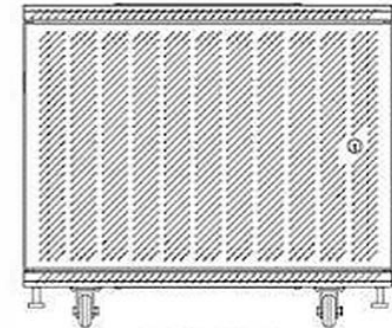
LEFT SIDE VIEW



FRONT VIEW



RIGHT SIDE VIEW



BACK VIEW

OPTIONAL LEVELERS

SHOWN

PART #	"A"	"B"	"C"	RACKING HEIGHT/ RACK SPACES	FINISH
TR3-32	23.62	35.00	7.50	5.25 / 3SP (U)	PEARL WHITE OR BLACK
TR6-32	23.62	35.00	12.75	10.5 / 6SP (U)	PEARL WHITE OR BLACK
TR9-32	23.62	35.00	18.00	15.75 / 9SP (U)	PEARL WHITE OR BLACK
TR12-32	23.62	35.00	23.25	21.00 / 12SP (U)	PEARL WHITE OR BLACK
TR15-32	23.62	35.00	28.50	26.25 / 15SP (U)	PEARL WHITE OR BLACK